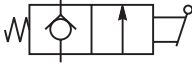
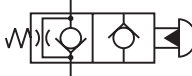
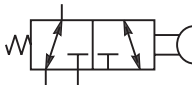

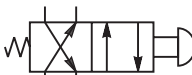
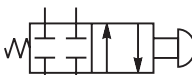

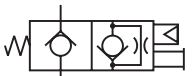


Contents

Manual Valves

	SERIES	CAVITY	DESCRIPTION	FLOW LPM/GPM	PRESSURE BAR/PSI	PAGE NO.
	DL081	C08-2	2 Position, 2 Way, N.C. Poppet, Pull to Open	30/8	210/3000	MV1
	DL101	C10-2	2 Position, 2 Way, N.C. Poppet, Pull to Open	49/13	210/3000	MV2
	GM0212	C08-2	2 Position, 2 Way, N.O. Poppet, Push to Close	45/12	350/5000	MV3
	GM0233	C08-3	2 Position, 3 Way, Spool Type, Pull to Shift	19/5	350/5000	MV4
	DM103	C10-3	3 Way, Rotary Spool	22/6	240/3500	MV5-MV6
	DM104	C10-4	4 Way, Rotary Spool	7/2	240/3500	MV7-MV8
	GM0240XS	C08-4	2 Position, 4 Way, Push to Shift	15/4	350/5000	MV9
	GM0240CS	C08-4	2 Position, 4 Way, Push to Shift	15/4	350/5000	MV10
	GM0251	C08-4	3 Position, 4 Way, Closed Center, Pull to Shift and Push to Shift	17/5	350/5000	MV11
	GM0253	C08-4	3 Position, 4 Way, Float Center, Pull to Shift and Push to Shift	17/5	350/5000	MV12
	GM0257	C08-4	3 Position, 4 Way, Tandem Center, Pull to Shift and Push to Shift	15/4	350/5000	MV13
	GM0259	C08-4	3 Position, 4 Way, Open Center, Pull to Shift and Push to Shift	15/4	350/5000	MV14
	GA0201	C08-2	2 Position, 2 Way, N.C. Poppet, Air Pilot or Pull to Open, Restricted Reverse Flow	45/12	210/3000	MV15-MV16
	GA0205	C08-2	2 Position, 2 Way, N.C. Poppet, Air Pilot or Pull to Open, Free Reverse Flow	45/12	210/3000	MV15-MV16

- CV**
Check Valves
- SH**
Shuttle Valves
- LM**
Load/Motor Controls
- FC**
Flow Controls
- PC**
Pressure Controls
- LE**
Logic Elements
- DC**
Directional Controls
- MV**
Manual Valves
- SV**
Solenoid Valves
- PV**
Proportional Valves
- CE**
Coils & Electronics
- BC**
Bodies & Cavities
- TD**
Technical Data



Technical Information

- CV** Check Valves
- SH** Shuttle Valves
- LM** Load/Motor Controls
- FC** Flow Controls
- PC** Pressure Controls
- LE** Logic Elements
- DC** Directional Controls
- MV** Manual Valves
- SV** Solenoid Valves
- PV** Proportional Valves
- CE** Coils & Electronics
- BC** Bodies & Cavities
- TD** Technical Data

General Description

2-Way Manual Poppet Valve. The DL081 Series Valves are suited for emergency lowering applications and on-off flow applications.

Operation

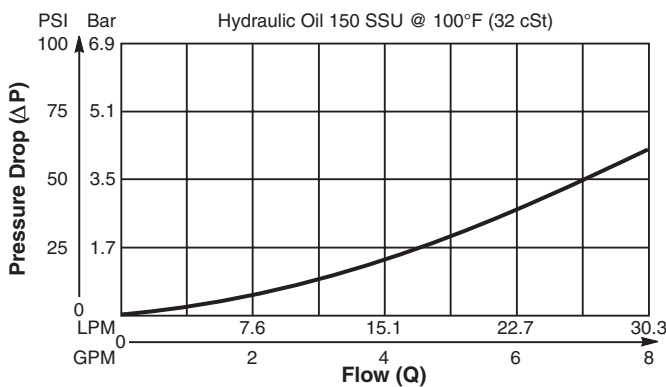
The DL081 Series Valves are mechanically operated check valves. Hydraulic force on the poppet is balanced by having equal area between the poppet seat and the valve stem, allowing the poppet to be manually pulled off the seat. When released, the bias spring will return the valve poppet to its closed position. Back pressure of more than 5.5 Bar (80 PSI) will prevent the bias spring from closing the poppet and must be avoided.

Features

- Low leakage design
- Flip lever, pull handle, or detented pin design
- All external parts zinc plated

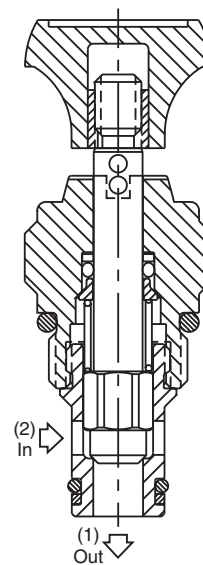
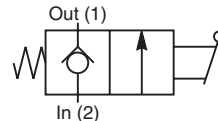
Performance Curve

Flow vs. Pressure Drop (Through cartridge only)

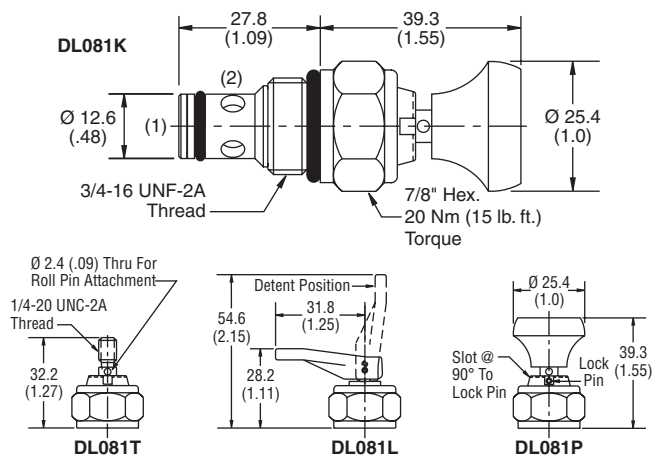


Specifications

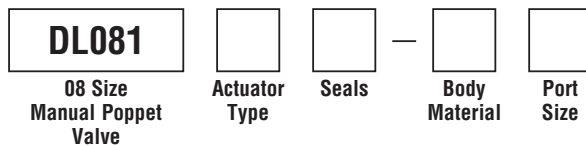
Nominal Flow	30 LPM (8 GPM)
Max. Inlet Pressure	210 Bar (3000 PSI)
Leakage at 150 SSU (32 cSt)	5 drops/min. (.33 cc/min.) at 210 Bar (3000 PSI)
Max. Allowable Tankline Pressure	5.5 Bar (80 PSI)
Operating Temp. Range (Ambient)	-40°C to +93.3°C (Nitrile) (-40°F to +200°F) -31.7°C to +121.1°C (Fluorocarbon) (-25°F to +250°F)
Cartridge Material	Stem, stainless steel. All other parts hardened steel.
Filtration	ISO code 16/13, SAE Class 4 or better
Approx. Weight	0.08 kg (0.17 lbs.)
Cavity	C08-2
Form Tool	Rougher None Finisher NFT08-2F



Dimensions Millimeters (Inches)



Ordering Information



Code	Actuator Type
K	Knob (852525)
T	Stem
L	Lever
P	Lock Pin

Code	Body Material
Omit	Steel
A	Aluminum

Code	Seals / Kit No.
Omit	Nitrile / (SK08-2N)
V	Fluorocarbon / (SK08-2V)

Code	Port Size	Body Part No.
Omit	Cartridge Only	
4P	1/4" NPTF	(B08-2-*4P)
6P	3/8" NPTF	(B08-2-*6P)
4T	SAE-4	(B08-2-*4T)
6T	SAE-6	(B08-2-*6T)
6B	3/8" BSPG	(B08-2-*6B)

* Add "A" for aluminum, omit for steel.



Technical Information

General Description

2-Way Manual Poppet Valve. The DL101 Series Valves are suited for emergency lowering applications and on-off flow applications.

Operation

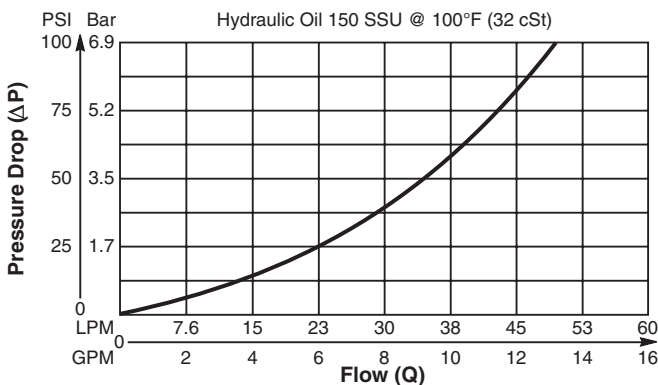
The DL101 Series Valves are mechanically operated check valves. Hydraulic force on the poppet is balanced by having equal area between the poppet seat and the valve stem, allowing the poppet to be manually pulled off the seat. When released, the bias spring will return the valve poppet to its closed position. Back pressure of more than 17.3 Bar (250 PSI) will prevent the bias spring from closing the poppet and must be avoided.

Features

- Low shut-off leakage
- Cartridge design
- Pull-to-Open design
- All external parts zinc plated

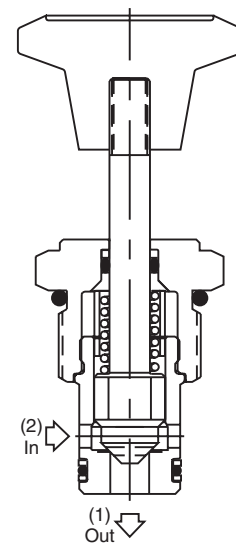
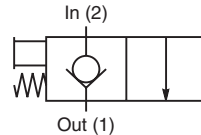
Performance Curve

Pressure Drop vs. Flow (Through cartridge only)

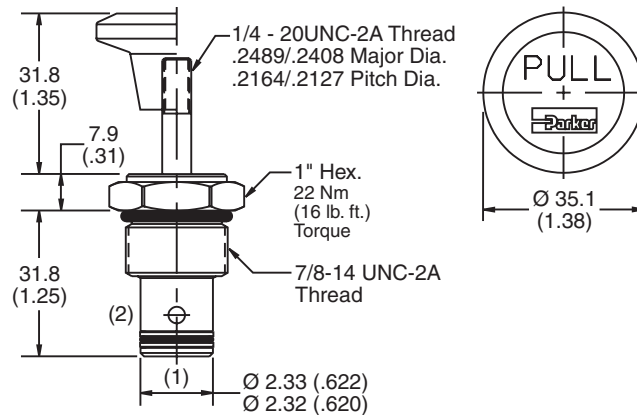


Specifications

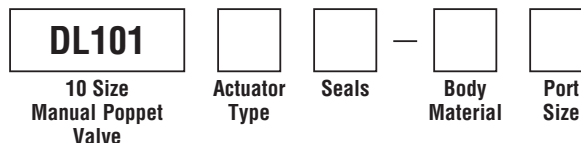
Nominal Flow	48.8 LPM (13 GPM)
Max. Inlet Pressure	240 Bar (3500 PSI)
Leakage at 150 SSU (32 cSt)	5 drops/min. (.33 cc/min.) at 240 Bar (3500 PSI)
Max. Allowable Tankline Pressure	17.3 Bar (250 PSI)
Operating Temp. Range (Ambient)	-40°C to +93.3°C (Nitrile) (-40°F to +200°F) -31.7°C to +121.1°C (Fluorocarbon) (-25°F to +250°F)
Cartridge Material	Stem, stainless steel. All other parts hardened steel.
Filtration	ISO code 16/13, SAE Class 4 or better
Approx. Weight	0.09 kg (0.21 lbs.)
Cavity	C10-2
Form Tool	Rougher None Finisher NFT10-2F



Dimensions Millimeters (Inches)



Ordering Information



Code	Actuator Type
K	Knob (850020K)
T	Stem

Code	Body Material
Omit	Steel
A	Aluminum

Code	Seals / Kit No.
Omit	Nitrile / (SK10-2N)
V	Fluorocarbon / (SK10-2V)

Code	Port Size	Body Part No.
Omit	Cartridge Only	
4P	1/4" NPTF	(B10-2-*4P)
6P	3/8" NPTF	(B10-2-*6P)
8P	1/2" NPTF	(B10-2-*8P)
6T	SAE-6	(B10-2-*6T)
T6T	SAE-6	(B10-2-T6T)†
8T	SAE-8	(B10-2-*8T)
T8T	SAE-8	(B10-2-T8T)†

* Add "A" for aluminum, omit for steel.
† Steel body only.

CV
Check Valves
SH
Shuttle Valves
LM
Load/Motor Controls
FC
Flow Controls
PC
Pressure Controls
LE
Logic Elements
DC
Directional Controls
MV
Manual Valves
SV
Solenoid Valves
PV
Proportional Valves
CE
Coils & Electronics
BC
Bodies & Cavities
TD
Technical Data



Technical Information

- CV** Check Valves
- SH** Shuttle Valves
- LM** Load/Motor Controls
- FC** Flow Controls
- PC** Pressure Controls
- LE** Logic Elements
- DC** Directional Controls
- MV** Manual Valves
- SV** Solenoid Valves
- PV** Proportional Valves
- CE** Coils & Electronics
- BC** Bodies & Cavities
- TD** Technical Data

General Description

2-Way, 2 Position, Normally Open Manual Poppet Valve.

Features

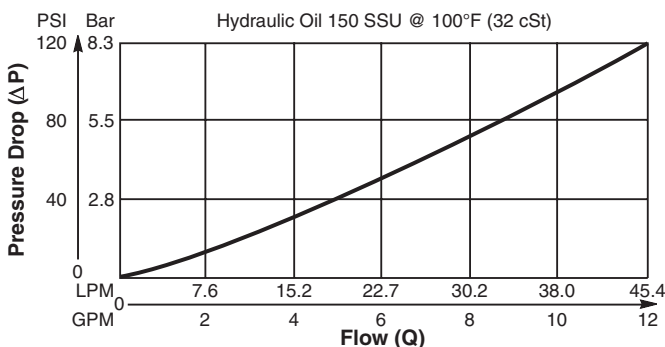
- Hardened poppet for minimal wear and greater durability
- Poppet type construction for minimal internal leakage
- Internal pilot operation provides “power leverage”
- Cavity common with solenoid operated valves
- Screw-on detent is optional
- All external parts zinc plated

Operation

In neutral position, pressure applied to port 2 creates pilot flow across the pilot seat causing poppet to lift. Flow passes from port 2 to port 1 until manual operator is pushed forcing pilot into its seat preventing pilot flow to firmly close the poppet. In neutral position, flow is restricted from port 1 to port 2.

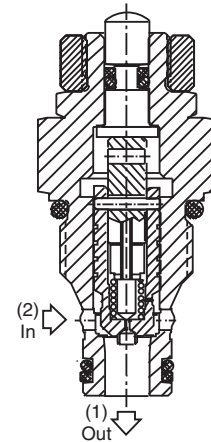
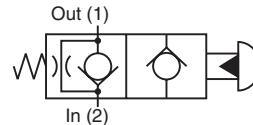
Performance Curve

Pressure Drop vs. Flow (Through cartridge only)

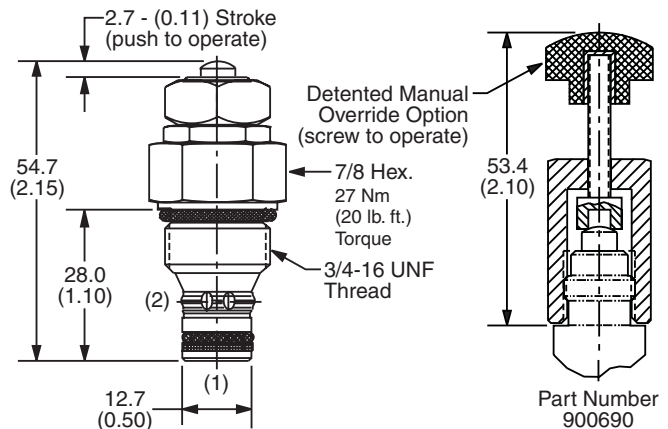


Specifications

Rated Flow	45 LPM (12 GPM)
Maximum Input Pressure @ Port 2	350 Bar (5000 PSI)
Leakage at 150 SSU (32 cSt)	0.33 ml/min. (5 drops/min.) @ 210 Bar (3000 PSI)
Cartridge Material	All parts steel. All operating parts hardened steel.
Operating Temp. Range/Seals	-40°C to +93.3°C (Nitrile, Buna-N) (-40°F to +200°F) -31.7°C to +121.1°C (Fluorocarbon) (-25°F to +250°F)
Fluid Compatibility/Viscosity	Mineral-based or synthetic with lubricating properties at viscosities of 45 to 2000 SSU (6 to 420 cSt)
Filtration	ISO code 16/13, SAE Class 4 or better
Approx. Weight	.13 kg (.31 lbs.)
Cavity	C08-2 (See BC Section for more details)



Dimensions Millimeters (Inches)



Ordering Information

GM02 12

08 Size Manual Valve Poppet Type Normally Open

Manual Button Filter Screen Seals Body Material Port Size

Code	Manual Button
0	Non-Detented (Std.)
1	Detented (With use of part #900690)

Code	Body Material
Omit	Steel
A	Aluminum

Code	Filter Screen
0	Not required
1	60 mesh screen

Code	Port Size	Body Part No.
Omit	Cartridge Only	
4P	1/4" NPTF	(B08-2-*4P)
6P	3/8" NPTF	(B08-2-*6P)
4T	SAE-4	(B08-2-*4T)
6T	SAE-6	(B08-2-*6T)
6B	3/8" BSPG	(B08-2-*6B)

Code	Seals / Kit No.
N	Nitrile, Buna-N / (SK30065N-1)
V	Fluorocarbon / (SK30065V-1)

* Add "A" for aluminum, omit for steel.



General Description

3-Way, 2 Position Manual Spool Valve. Designed to operate single acting cylinders, pilot circuits and uni-directional motors.

Features

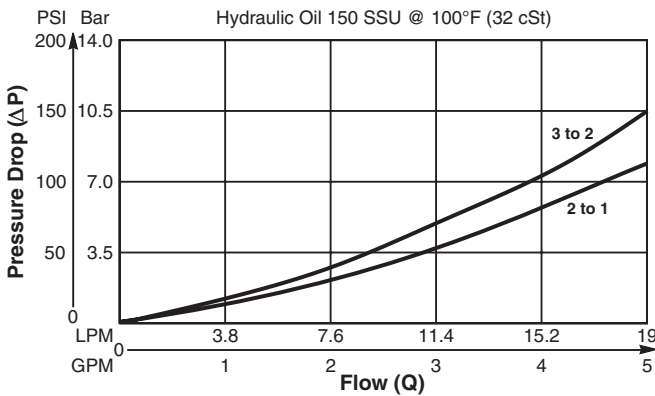
- High flow capacity with reduced space requirements
- One piece cartridge housing ensures internal concentricity
- Low mechanical operating force required
- Detented option available
- All external parts zinc plated

Operation

Neutral flow is 2 to 1. Pull to shift for flow from 3 to 2.

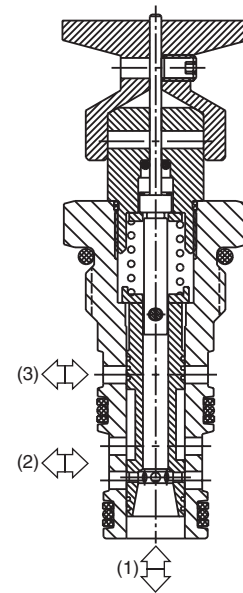
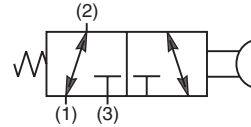
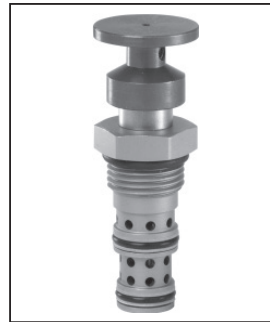
Performance Curve

Pressure Drop vs. Flow (Through cartridge only)

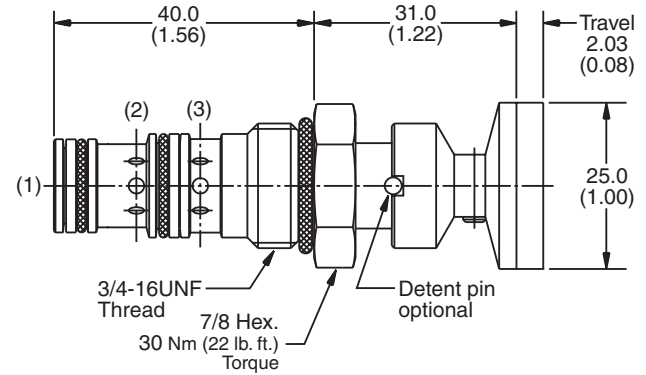


Specifications

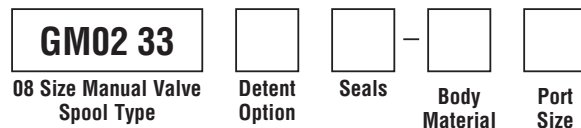
Rated Flow	19 LPM (5 GPM)
Operating Pressure	Side Ports - 350 Bar (5000 PSI) Bottom Port - 35 Bar (500 PSI)
Max. Operating Pushing or Pulling Force Required	5 kg (11 lbs.)
Cartridge Material	All parts steel. All operating parts hardened steel.
Operating Temp. Range/Seals	-40°C to +93.3°C (Nitrile, Buna-N) (-40°F to +200°F) -31.7°C to +121.1°C (Fluorocarbon) (-25°F to +250°F)
Fluid Compatibility/Viscosity	Mineral-based or synthetic with lubricating properties at viscosities of 45 to 2000 SSU (6 to 420 cSt)
Filtration	ISO code 16/13, SAE Class 4 or better
Approx. Weight	.10 kg (.20 lbs.)
Cavity	C08-3 (See BC Section for more details)



Dimensions Millimeters (Inches)



Ordering Information



Code	Detent Option
Omit	Non-Detented (Std.)
1	Detented

Code	Body Material
Omit	Steel
A	Aluminum

Code	Seals / Kit No.
N	Nitrile, Buna-N / (SK30077N-1)
V	Fluorocarbon / (SK30077V-1)

Code	Port Size	Body Part No.
Omit	Cartridge Only	
4P	1/4" NPTF	(B08-3-*4P)
4T	SAE-4	(B08-3-*4T)
6T	SAE-6	(B08-3-*6T)
6B	3/8" BSPG	(B08-3-*6B)

* Add "A" for aluminum, omit for steel.

- CV** Check Valves
- SH** Shuttle Valves
- LM** Load/Motor Controls
- FC** Flow Controls
- PC** Pressure Controls
- LE** Logic Elements
- DC** Directional Controls
- MV** Manual Valves
- SV** Solenoid Valves
- PV** Proportional Valves
- CE** Coils & Electronics
- BC** Bodies & Cavities
- TD** Technical Data

Technical Information

- CV** Check Valves
- SH** Shuttle Valves
- LM** Load/Motor Controls
- FC** Flow Controls
- PC** Pressure Controls
- LE** Logic Elements
- DC** Directional Controls
- MV** Manual Valves
- SV** Solenoid Valves
- PV** Proportional Valves
- CE** Coils & Electronics
- BC** Bodies & Cavities
- TD** Technical Data

General Description

3-Way Rotary Spool Valve. The DM103 Series Valves are suited for any 3-way application (such as a selector function) where manual operation is desired. For additional information see Technical Tips pages MV1-MV2.

Features

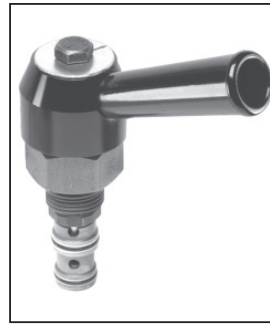
- Several lever and knob options available
- Detented versions available
- Serviceable cartridge design
- All external parts zinc plated

Operation

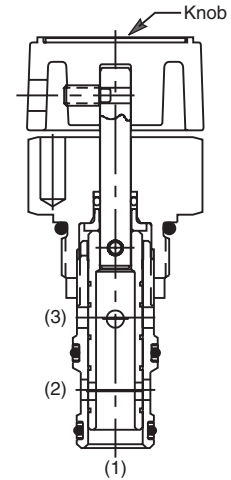
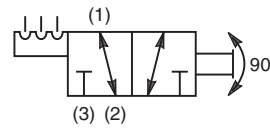
The K, LD, and FKD options require a full 90° rotation to shift the spool from one offset position to the other. The LN and FKN options require a full 45° rotation from center to either offset position. The knob (or lever) position indicator can be positioned anywhere within the 360° circle.

Specifications

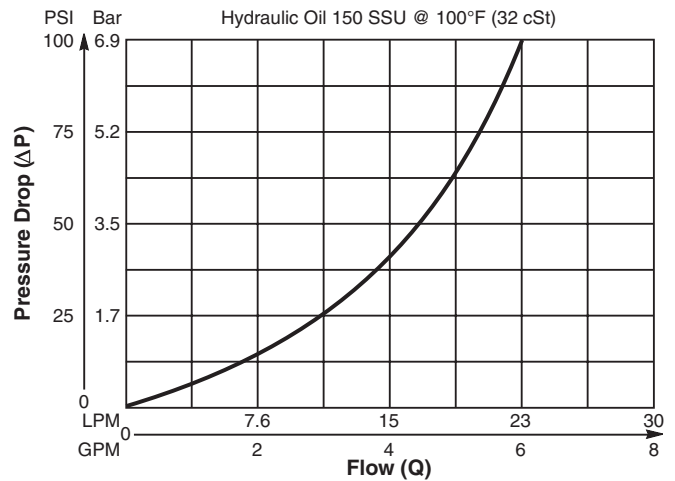
Nominal Flow	22.5 LPM (6 GPM)
Maximum Inlet Pressure	240 Bar (3500 PSI)
Degrees of Rotation	K, LD, and FKD Styles: 90° from Offset to Offset (2 positions) LN, FKN Style: 45° from center to either Offset (3 positions)
Leakage at 150 SSU (32 cSt)	164 cc/min. at 240 Bar (3500 PSI)
Cartridge Material	Stem, stainless steel. All other parts hardened steel.
Operating Temp. Range/Seals	-40°C to +93.3°C (Nitrile) (-40°F to +200°F) -31.7°C to +121.1°C (Fluorocarbon) (-25°F to +250°F)
Fluid Compatibility/Viscosity	Mineral-based or synthetic with lubricating properties at viscosities of 45 to 2000 SSU (6 to 420 cSt)
Filtration	ISO code 16/13, SAE Class 4 or better
Approx. Weight	0.11 kg (.30 lbs.)
Cavity	C10-3 (See BC Section for more details)
Form Tool	Rougher NFT10-3R Finisher NFT10-3F



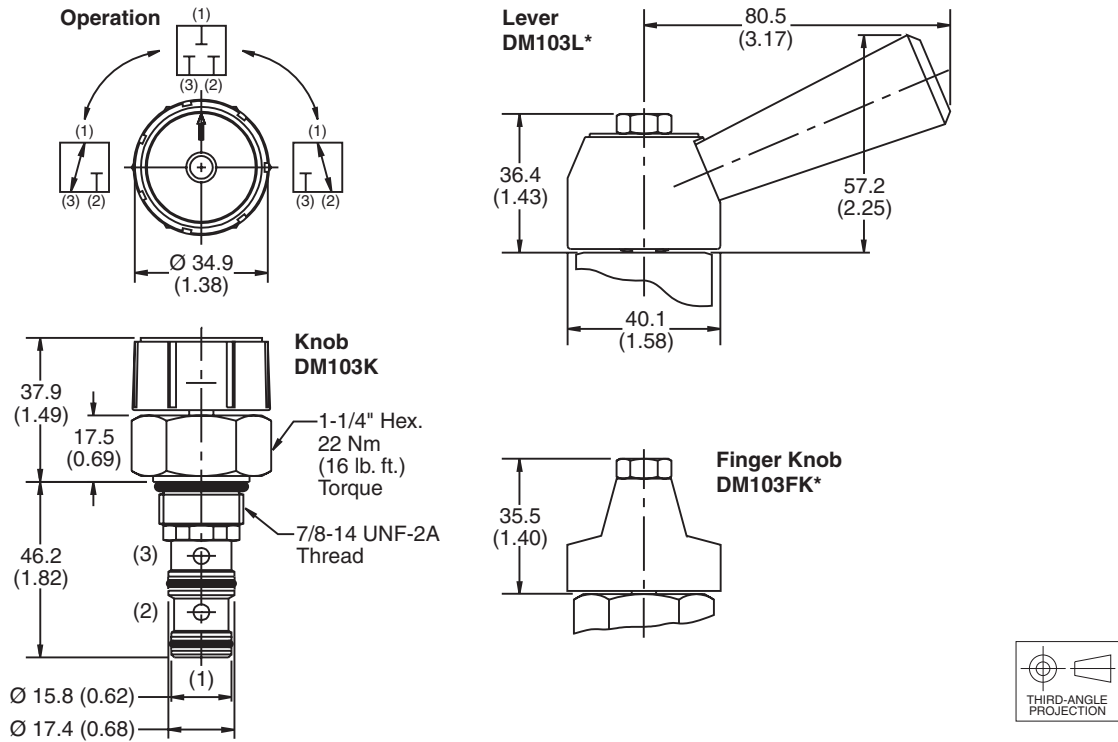
DM103LD



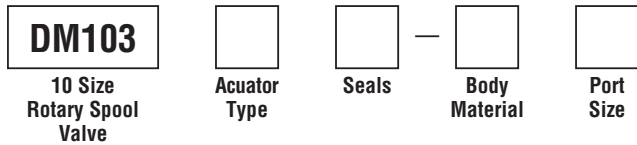
Performance Curve
Flow vs. Pressure Drop
(Through cartridge only)



Dimensions Millimeters (Inches)



Ordering Information



Code / Actuator Type	
K Knob	
LD Lever with 2 position detent	
LN Lever with 3 position detent	
FKD Finger Knob with 2 position detent	
FKN Finger Knob with 3 position detent	

Code	Seals / Kit. No.
Omit	Nitrile / (SK10-3N)
V	Fluorocarbon / (SK10-3V)

Code	Body Material
Omit	Steel
A	Aluminum

Code	Port Size	Body Part No.
Omit	Cartridge Only	
4P	1/4" NPTF	(B10-3-*4P)
6P	3/8" NPTF	(B10-3-*6P)
8P	1/2" NPTF	(B10-3-*8P)
4T	SAE - 4	(B10-3-*4T)
6T	SAE - 6	(B10-3-*6T)
6B	3/8" BSPG	(B10-3-6B)†
8B	1/2" BSPG	(B10-3-*8B)

* Add "A" for aluminum, omit for steel.
 † Steel body only.

Technical Information

- CV** Check Valves
- SH** Shuttle Valves
- LM** Load/Motor Controls
- FC** Flow Controls
- PC** Pressure Controls
- LE** Logic Elements
- DC** Directional Controls
- MV** Manual Valves
- SV** Solenoid Valves
- PV** Proportional Valves
- CE** Coils & Electronics
- BC** Bodies & Cavities
- TD** Technical Data

General Description

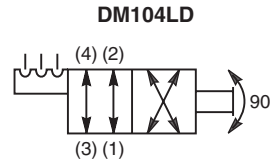
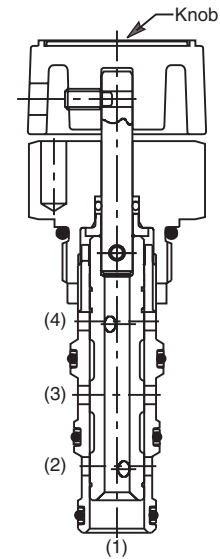
4-Way Rotary Spool Valve. The DM104 Series Valves are suited for all 4-way directional control applications where manual operation is desired.

Features

- Several lever and knob options available
- Detented versions available
- Serviceable cartridge design
- All external parts zinc plated

Operation

The K, LD, and FKD options require a full 90° rotation to shift the spool from one offset position to the other. The LN and FKN options require a full 45° rotation from center to either offset position. The knob (or lever) position indicator can be positioned anywhere within the 360° circle.

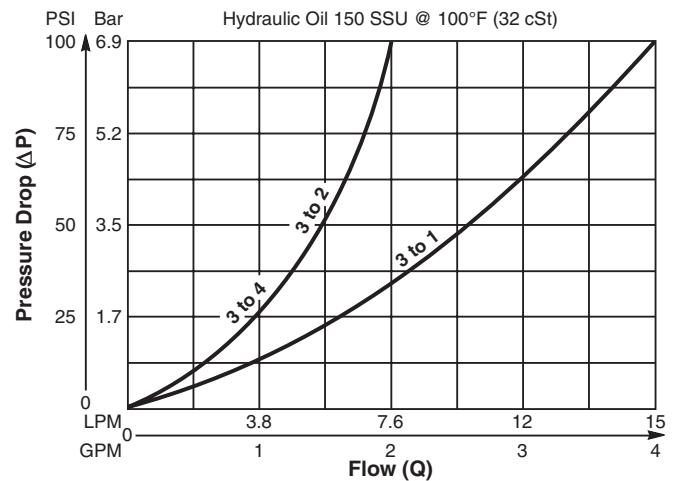


Specifications

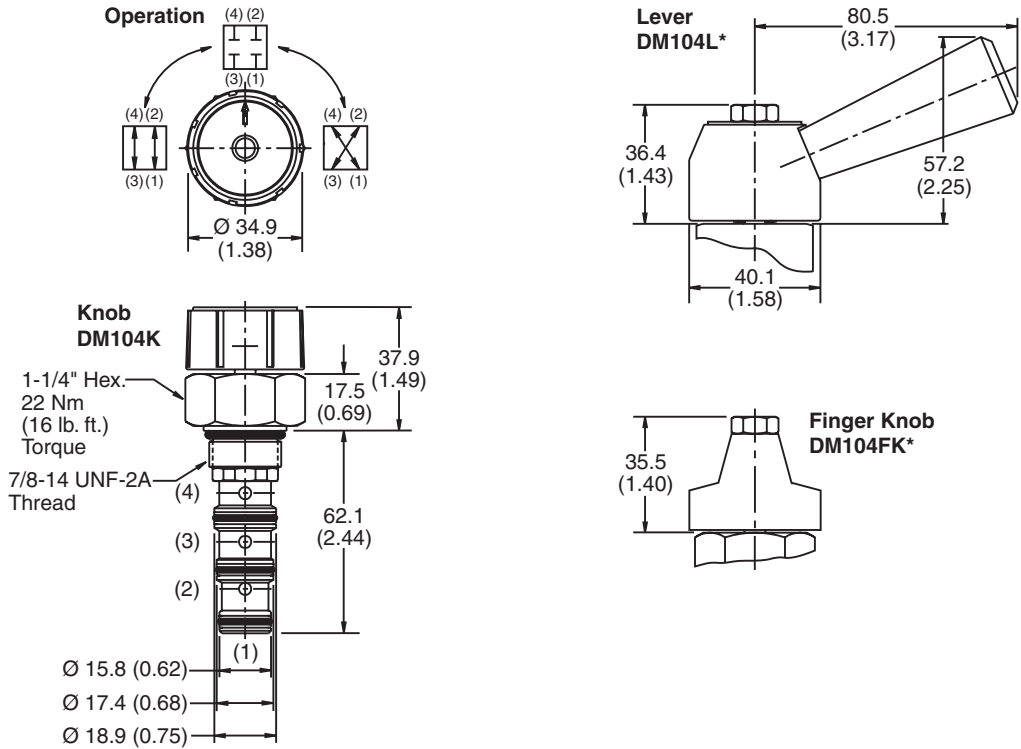
Nominal Flow	7.5 LPM (2 GPM)
Maximum Inlet Pressure	240 Bar (3500 PSI)
Degrees of Rotation	K, LD, and FKD Styles: 90° from Offset to Offset (2 positions) LN and FKN Styles: 45° from center to either Offset (3 positions)
Leakage at 150 SSU (32 cSt)	164 cc/min. at 240 Bar (3500 PSI)
Cartridge Material	All parts steel. All operating parts hardened steel.
Operating Temp. Range/Seals	-40°C to +93.3°C (Nitrile) (-40°F to +200°F) -31.7°C to +121.1°C (Fluorocarbon) (-25°F to +250°F)
Fluid Compatibility/Viscosity	Mineral-based or synthetic with lubricating properties at viscosities of 45 to 2000 SSU (6 to 420 cSt)
Filtration	ISO code 16/13, SAE Class 4 or better
Approx. Weight	0.11 kg (.30 lbs.)
Cavity	C10-4 (See BC Section for more details)
Form Tool	Rougher NFT10-4R Finisher NFT10-4F

Performance Curve

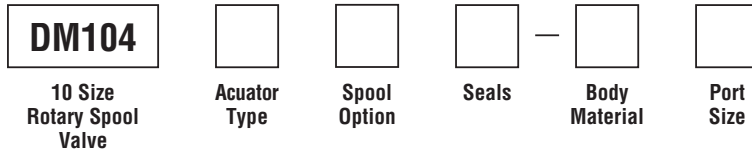
Flow vs. Pressure Drop
(Through cartridge only)



Dimensions Millimeters (Inches)



Ordering Information



Code / Actuator Type	Diagram
K Knob	
LD Lever with 2 position detent	
LN Lever with 3 position detent	
FKD Finger Knob with 2 position detent	
FKN Finger Knob with 3 position detent	

Code / Spool Option	Diagram
1 Closed Center	
8 Tandem Center	

Code	Seals / Kit. No.
Omit	Nitrile / (SK10-4N)
V	Fluorocarbon / (SK10-4V)

Code	Body Material
Omit	Steel
A	Aluminum

Code	Port Size	Body Part No.
Omit	Cartridge Only	
6P	3/8" NPTF	(B10-4-*6P)
6T	SAE - 6	(B10-4-*6T)
8T	SAE - 8	(B10-4-*8T)
6B	3/8" BSPG	(B10-4-6B)†

* Add "A" for aluminum, omit for steel.
 † Steel body only.

- CV** Check Valves
- SH** Shuttle Valves
- LM** Load/Motor Controls
- FC** Flow Controls
- PC** Pressure Controls
- LE** Logic Elements
- DC** Directional Controls
- MV** Manual Valves
- SV** Solenoid Valves
- PV** Proportional Valves
- CE** Coils & Electronics
- BC** Bodies & Cavities
- TD** Technical Data

Technical Information

- CV** Check Valves
- SH** Shuttle Valves
- LM** Load/Motor Controls
- FC** Flow Controls
- PC** Pressure Controls
- LE** Logic Elements
- DC** Directional Controls
- MV** Manual Valves
- SV** Solenoid Valves
- PV** Proportional Valves
- CE** Coils & Electronics
- BC** Bodies & Cavities
- TD** Technical Data

General Description

4-Way, 2 Position, Reversing Manual Spool Valve. Designed to operate double acting cylinders, pilot circuits and bi-directional motors.

Features

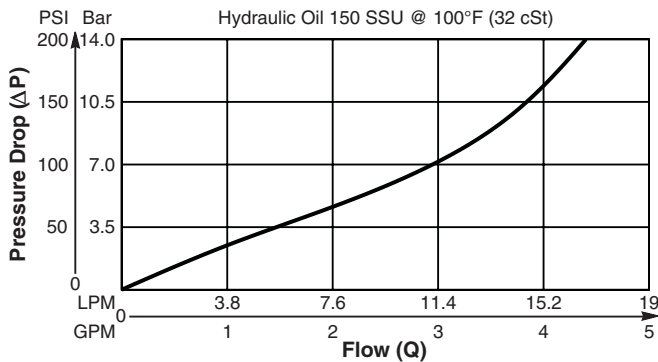
- High flow capacity with reduced space requirements
- One piece cartridge housing ensures internal concentricity
- Low mechanical operating force required
- Detented option available
- All external parts zinc plated

Operation

Neutral, flow is 3 to 4 and 2 to 1. Push to shift for flow 3 to 2 and 4 to 1

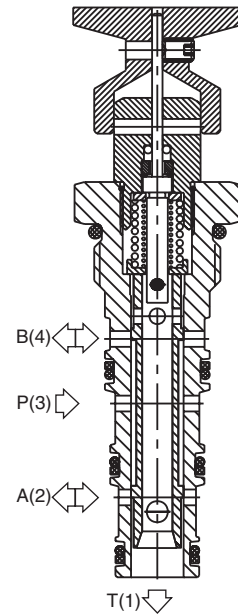
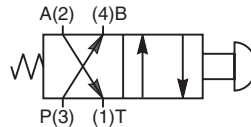
Performance Curve

Pressure Drop vs. Flow (Through cartridge only)

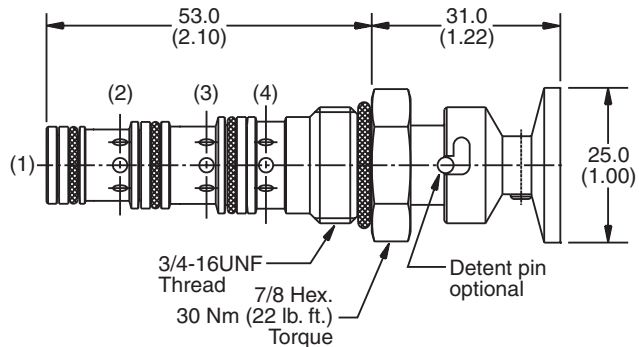


Specifications

Rated Flow	15 LPM (4 GPM)
Operating Pressure	Side Ports - 350 Bar (5000 PSI) Bottom Port - 35 Bar (500 PSI)
Max. Operating Pushing or Pulling Force Required	5 kg (11 lbs.)
Cartridge Material	All parts steel. All operating parts hardened steel.
Operating Temp. Range/Seals	-40°C to +93.3°C (Nitrile, Buna-N) (-40°F to +200°F) -31.7°C to +121.1°C (Fluorocarbon) (-25°F to +250°F)
Fluid Compatibility/Viscosity	Mineral-based or synthetic with lubricating properties at viscosities of 45 to 2000 SSU (6 to 420 cSt)
Filtration	ISO code 16/13, SAE Class 4 or better
Approx. Weight	.10 kg (.20 lbs.)
Cavity	C08-4 (See BC Section for more details)



Dimensions Millimeters (Inches)



Ordering Information

GM02 40XS -

08 Size Manual Valve Detent Option Seals Body Material Port Size
Spool Type Reversing

Code	Detent Option
Omit	Non-Detented (Std.)
1	Detented

Code	Body Material
Omit	Steel
A	Aluminum

Code	Seals / Kit No.
N	Nitrile, Buna-N / (SK30078N-1)
V	Fluorocarbon / (SK30078V-1)

Code	Port Size	Body Part No.
Omit	Cartridge Only	
4T	SAE-4	(B08-4-*4T)
6T	SAE-6	(B08-4-*6T)
6B	3/8" BSPG	(B08-4-*6B)

* Add "A" for aluminum, omit for steel.

Technical Information

General Description

4-Way, 2 Position, Normally Closed Manual Spool Valve. Designed to operate double acting cylinders, pilot circuits and bi-directional motors.

Features

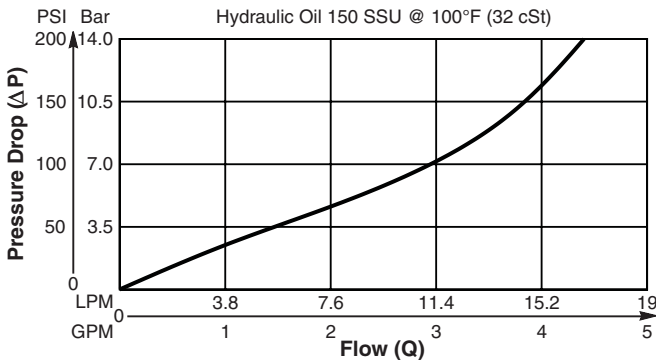
- High flow capacity with reduced space requirements
- One piece cartridge housing ensures internal concentricity
- Low mechanical operating force required
- Detented option available
- All external parts zinc plated

Operation

Neutral, all ports blocked. Push to shift for flow 3 to 2 and 4 to 1.

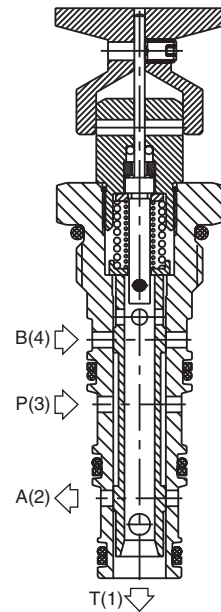
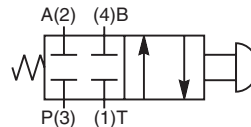
Performance Curve

Pressure Drop vs. Flow (Through cartridge only)

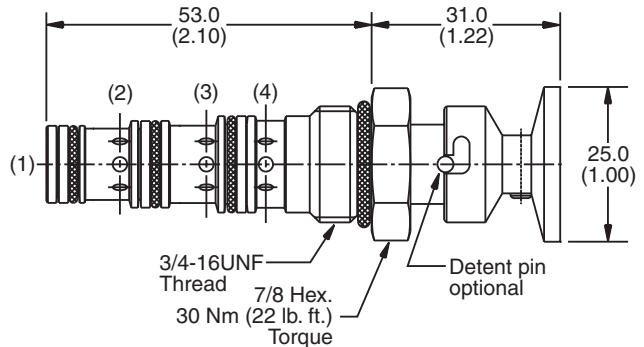


Specifications

Rated Flow	15 LPM (4 GPM)
Operating Pressure	Side Ports - 350 Bar (5000 PSI) Bottom Port - 35 Bar (500 PSI)
Max. Operating Pushing or Pulling Force Required	5 kg (11 lbs.)
Cartridge Material	All parts steel. All operating parts hardened steel.
Operating Temp. Range/Seals	-40°C to +93.3°C (Nitrile, Buna-N) (-40°F to +200°F) -31.7°C to +121.1°C (Fluorocarbon) (-25°F to +250°F)
Fluid Compatibility/Viscosity	Mineral-based or synthetic with lubricating properties at viscosities of 45 to 2000 SSU (6 to 420 cSt)
Filtration	ISO code 16/13, SAE Class 4 or better
Approx. Weight	.12 kg (.25 lbs.)
Cavity	C08-4 (See BC Section for more details)



Dimensions Millimeters (Inches)



Ordering Information

GM02 40CS

08 Size Manual Valve Detent Option Seals Body Material Port Size
Spool Type Normally Closed

Code	Detent Option
Omit	Non-Detented (Std.)
1	Detented

Code	Body Material
Omit	Steel
A	Aluminum

Code	Seals / Kit No.
N	Nitrile, Buna-N / (SK30078N-1)
V	Fluorocarbon / (SK30078V-1)

Code	Port Size	Body Part No.
Omit	Cartridge Only	
4T	SAE-4	(B08-4-*4T)
6T	SAE-6	(B08-4-*6T)
6B	3/8" BSPG	(B08-4-*6B)

* Add "A" for aluminum, omit for steel.



CV
Check Valves

SH
Shuttle Valves

LM
Load/Motor Controls

FC
Flow Controls

PC
Pressure Controls

LE
Logic Elements

DC
Directional Controls

MV
Manual Valves

SV
Solenoid Valves

PV
Proportional Valves

CE
Coils & Electronics

BC
Bodies & Cavities

TD
Technical Data

Technical Information

- CV** Check Valves
- SH** Shuttle Valves
- LM** Load/Motor Controls
- FC** Flow Controls
- PC** Pressure Controls
- LE** Logic Elements
- DC** Directional Controls
- MV** Manual Valves
- SV** Solenoid Valves
- PV** Proportional Valves
- CE** Coils & Electronics
- BC** Bodies & Cavities
- TD** Technical Data

General Description

4-Way, 3 Position, Closed Center Manual Spool Valve. Designed to operate double acting cylinders, pilot circuits and bi-directional motors.

Features

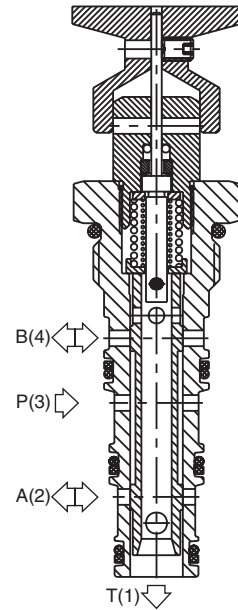
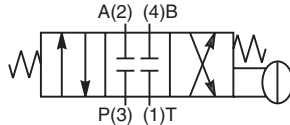
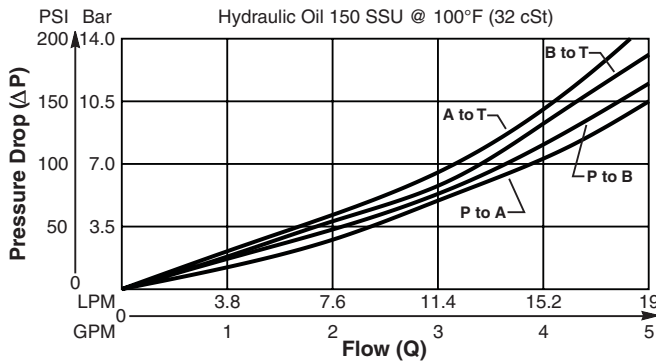
- High flow capacity with reduced space requirements
- One piece cartridge housing ensures internal concentricity
- Low mechanical operating force required
- Detented option available
- All external parts zinc plated

Operation

Neutral, all ports are blocked. Push to shift for flow 3 to 2 and 4 to 1. Pull to shift for flow 3 to 4 and 2 to 1.

Performance Curve

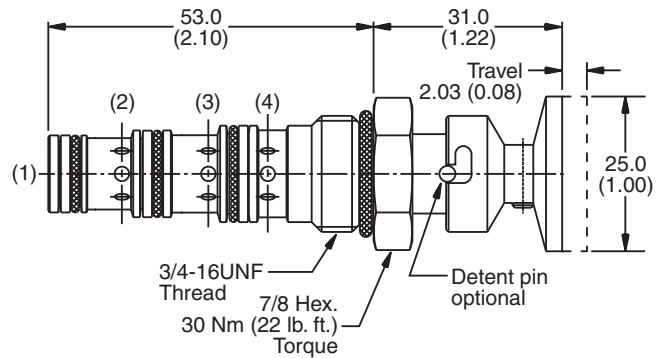
Pressure Drop vs. Flow (Through cartridge only)



Specifications

Rated Flow	17 LPM (4.5 GPM)
Operating Pressure	Side Ports - 350 Bar (5000 PSI) Bottom Port - 35 Bar (500 PSI)
Max. Operating Pushing or Pulling Force Required	5 kg (11 lbs.)
Cartridge Material	All parts steel. All operating parts hardened steel.
Operating Temp. Range/Seals	-40°C to +93.3°C (Nitrile, Buna-N) (-40°F to +200°F) -31.7°C to +121.1°C (Fluorocarbon) (-25°F to +250°F)
Fluid Compatibility/Viscosity	Mineral-based or synthetic with lubricating properties at viscosities of 45 to 2000 SSU (6 to 420 cSt)
Filtration	ISO code 16/13, SAE Class 4 or better
Approx. Weight	.12 kg (.25 lbs.)
Cavity	C08-4 (See BC Section for more details)

Dimensions Millimeters (Inches)



Ordering Information

GM02 51 -

08 Size Manual Valve Detent Option Seals Body Material Port Size
Spool Type Closed Center

Code	Detent Option
Omit	Non-Detented (Std.)
1	Detented

Code	Body Material
Omit	Steel
A	Aluminum

Code	Seals / Kit No.
N	Nitrile, Buna-N / (SK30078N-1)
V	Fluorocarbon / (SK30078V-1)

Code	Port Size	Body Part No.
Omit	Cartridge Only	
4T	SAE-4	(B08-4-*4T)
6T	SAE-6	(B08-4-*6T)
6B	3/8" BSPG	(B08-4-*6B)

* Add "A" for aluminum, omit for steel.



General Description

4-Way, 3 Position, Floating Center Manual Spool Valve. Designed to operate double acting cylinders, pilot circuits and bi-directional motors.

Features

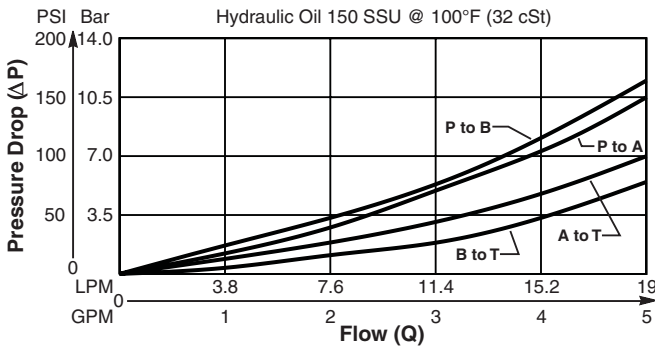
- High flow capacity with reduced space requirements
- One piece cartridge housing ensures internal concentricity
- Low mechanical operating force required
- Detented option available
- All external parts zinc plated

Operation

Neutral port 3 blocked, ports 2 and 4 open to port 1. Push to shift for flow, port 3 to 2 and port 4 to 1. Pull to shift for flow, port 3 to 4 and port 2 to 1.

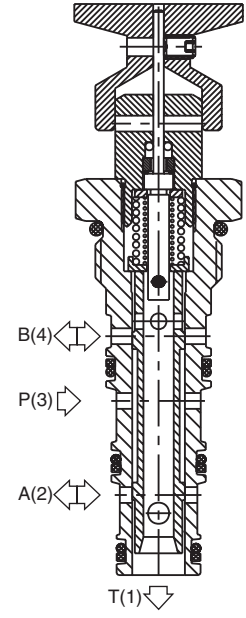
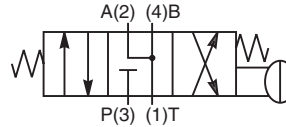
Performance Curve

Pressure Drop vs. Flow (Through cartridge only)

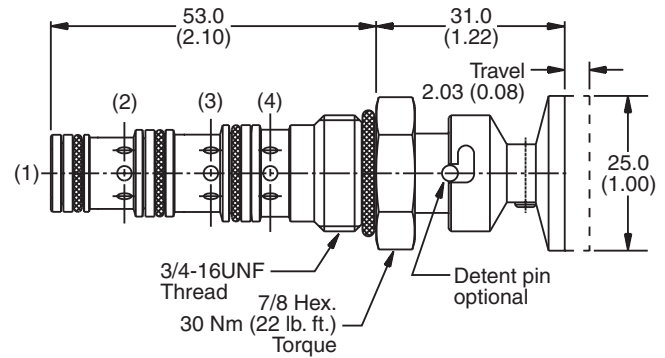


Specifications

Rated Flow	19 LPM (5 GPM)
Operating Pressure	Side Ports - 350 Bar (5000 PSI) Bottom Port - 35 Bar (500 PSI)
Max. Operating Pushing or Pulling Force Required	5 kg (11 lbs.)
Cartridge Material	All parts steel. All operating parts hardened steel.
Operating Temp. Range/Seals	-40°C to +93.3°C (Nitrile, Buna-N) (-40°F to +200°F) -31.7°C to +121.1°C (Fluorocarbon) (-25°F to +250°F)
Fluid Compatibility/Viscosity	Mineral-based or synthetic with lubricating properties at viscosities of 45 to 2000 SSU (6 to 420 cSt)
Filtration	ISO code 16/13, SAE Class 4 or better
Approx. Weight	.12 kg (.25 lbs.)
Cavity	C08-4 (See BC Section for more details)



Dimensions Millimeters (Inches)



Ordering Information

GM02 53

08 Size Manual Valve Spool Type Floating Center

Detent Option: (Omit) 1

Seals: (Omit) N V

Body Material: (Omit) A

Port Size: (Omit) 4T 6T 6B

Code	Detent Option
Omit	Non-Detented (Std.)
1	Detented

Code	Body Material
Omit	Steel
A	Aluminum

Code	Seals / Kit No.
N	Nitrile, Buna-N / (SK30078N-1)
V	Fluorocarbon / (SK30078V-1)

Code	Port Size	Body Part No.
Omit	Cartridge Only	
4T	SAE-4	(B08-4-*4T)
6T	SAE-6	(B08-4-*6T)
6B	3/8" BSPG	(B08-4-*6B)

* Add "A" for aluminum, omit for steel.



- CV** Check Valves
- SH** Shuttle Valves
- LM** Load/Motor Controls
- FC** Flow Controls
- PC** Pressure Controls
- LE** Logic Elements
- DC** Directional Controls
- MV** Manual Valves
- SV** Solenoid Valves
- PV** Proportional Valves
- CE** Coils & Electronics
- BC** Bodies & Cavities
- TD** Technical Data

Technical Information

- CV** Check Valves
- SH** Shuttle Valves
- LM** Load/Motor Controls
- FC** Flow Controls
- PC** Pressure Controls
- LE** Logic Elements
- DC** Directional Controls
- MV** Manual Valves
- SV** Solenoid Valves
- PV** Proportional Valves
- CE** Coils & Electronics
- BC** Bodies & Cavities
- TD** Technical Data

General Description

4-Way, 3 Position, Tandem Center Manual Spool Valve. Designed to operate double acting cylinders, pilot circuits and bi-directional motors.

Features

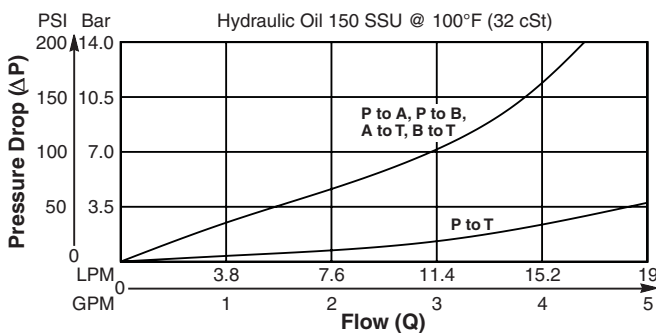
- High flow capacity with reduced space requirements
- One piece cartridge housing ensures internal concentricity
- Low mechanical operating force required
- Detented option available
- All external parts zinc plated

Operation

Neutral, flow is allowed 3 to 1 with ports 4 and 2 blocked. Push to shift for flow 3 to 4 and 2 to 1. Pull to shift for flow 3 to 2 and 4 to 1.

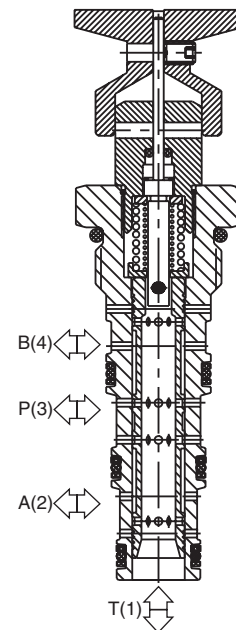
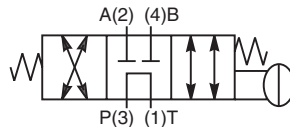
Performance Curve

Pressure Drop vs. Flow (Through cartridge only)

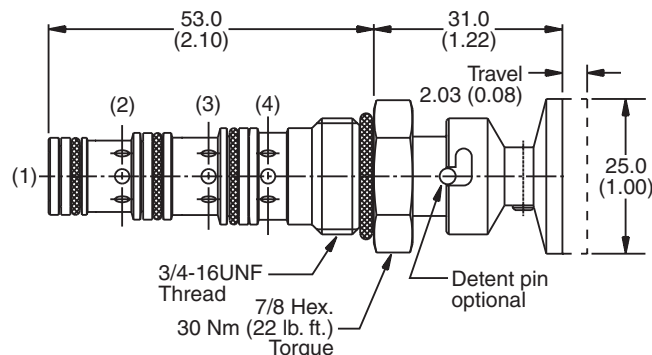


Specifications

Rated Flow	15 LPM (4 GPM)
Operating Pressure	Side Ports - 350 Bar (5000 PSI) Bottom Port - 35 Bar (500 PSI)
Max. Operating Pushing or Pulling Force Required	5 kg (11 lbs.)
Cartridge Material	All parts steel. All operating parts hardened steel.
Operating Temp. Range/Seals	-40°C to +93.3°C (Nitrile, Buna-N) (-40°F to +200°F) -31.7°C to +121.1°C (Fluorocarbon) (-25°F to +250°F)
Fluid Compatibility/Viscosity	Mineral-based or synthetic with lubricating properties at viscosities of 45 to 2000 SSU (6 to 420 cSt)
Filtration	ISO code 16/13, SAE Class 4 or better
Approx. Weight	.12 kg (.25 lbs.)
Cavity	C08-4 (See BC Section for more details)



Dimensions Millimeters (Inches)



Ordering Information

GM02 57

08 Size Manual Valve Spool Type Tandem Center

Detent Option: (blank) (1)

Seals: (blank) (N) (V)

Body Material: (blank) (A)

Port Size: (blank) (4T) (6T) (6B)

Code	Detent Option
Omit	Non-Detented (Std.)
1	Detented

Code	Body Material
Omit	Steel
A	Aluminum

Code	Seals / Kit No.
N	Nitrile, Buna-N / (SK30078N-1)
V	Fluorocarbon / (SK30078V-1)

Code	Port Size	Body Part No.
Omit	Cartridge Only	
4T	SAE-4	(B08-4-*4T)
6T	SAE-6	(B08-4-*6T)
6B	3/8" BSPG	(B08-4-*6B)

* Add "A" for aluminum, omit for steel.



Technical Information

General Description

4-Way, 3 Position, Open Center Manual Spool Valve. Designed to operate double acting cylinders, pilot circuits and bi-directional motors.

Features

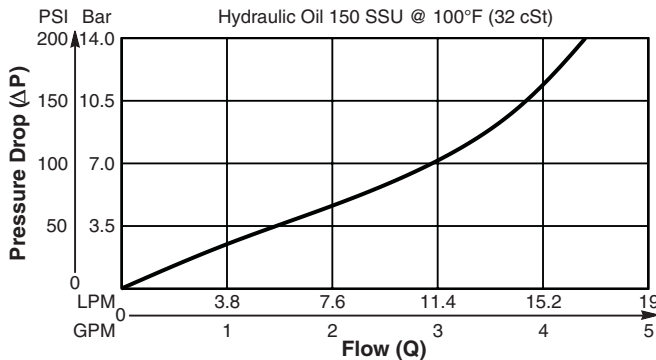
- High flow capacity with reduced space requirements
- One piece cartridge housing ensures internal concentricity
- Low mechanical operating force required
- Detented option available
- All external parts zinc plated

Operation

Neutral, all ports open. Push to shift for flow 3 to 4 and 2 to 1. Pull to shift for flow 3 to 2 and 4 to 1.

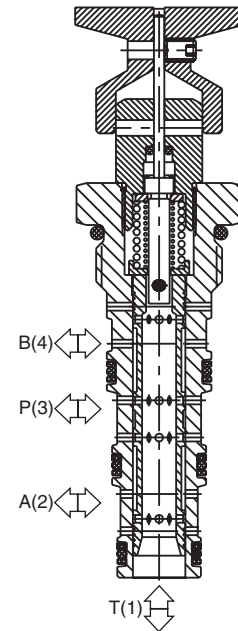
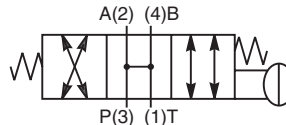
Performance Curve

Pressure Drop vs. Flow (Through cartridge only)

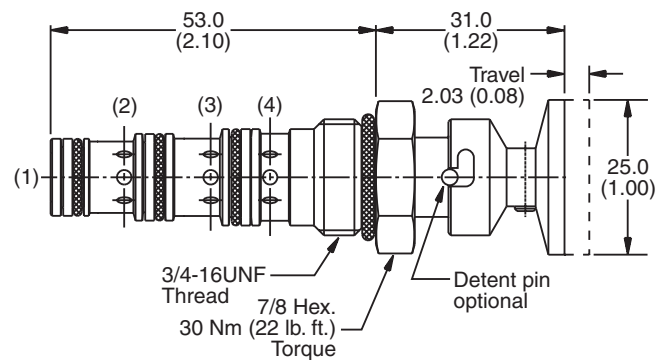


Specifications

Rated Flow	15 LPM (4 GPM)
Operating Pressure	Side Ports - 350 Bar (5000 PSI) Bottom Port - 35 Bar (500 PSI)
Max. Operating Pushing or Pulling Force Required	5 kg (11 lbs.)
Cartridge Material	All parts steel. All operating parts hardened steel.
Operating Temp. Range/Seals	-40°C to +93.3°C (Nitrile, Buna-N) (-40°F to +200°F) -31.7°C to +121.1°C (Fluorocarbon) (-25°F to +250°F)
Fluid Compatibility/Viscosity	Mineral-based or synthetic with lubricating properties at viscosities of 45 to 2000 SSU (6 to 420 cSt)
Filtration	ISO code 16/13, SAE Class 4 or better
Approx. Weight	.12 kg (.25 lbs.)
Cavity	C08-4 (See BC Section for more details)



Dimensions Millimeters (Inches)



Ordering Information

GM02 59 -

08 Size Manual Valve Detent Option Seals Body Material Port Size
Spool Type Open Center

Code	Detent Option
Omit	Non-Detented (Std.)
1	Detented

Code	Body Material
Omit	Steel
A	Aluminum

Code	Seals / Kit No.
N	Nitrile, Buna-N / (SK30078N-1)
V	Fluorocarbon / (SK30078V-1)

Code	Port Size	Body Part No.
Omit	Cartridge Only	
4T	SAE-4	(B08-4-*4T)
6T	SAE-6	(B08-4-*6T)
6B	3/8" BSPG	(B08-4-*6B)

* Add "A" for aluminum, omit for steel.



CV
Check Valves

SH
Shuttle Valves

LM
Load/Motor Controls

FC
Flow Controls

PC
Pressure Controls

LE
Logic Elements

DC
Directional Controls

MV
Manual Valves

SV
Solenoid Valves

PV
Proportional Valves

CE
Coils & Electronics

BC
Bodies & Cavities

TD
Technical Data

Technical Information

- CV** Check Valves
- SH** Shuttle Valves
- LM** Load/Motor Controls
- FC** Flow Controls
- PC** Pressure Controls
- LE** Logic Elements
- DC** Directional Controls
- MV** Manual Valves
- SV** Solenoid Valves
- PV** Proportional Valves
- CE** Coils & Electronics
- BC** Bodies & Cavities
- TD** Technical Data

General Description

Air Piloted Poppet Type Manual Directional Valve. 2-Way, 2 Position, Normally Closed.

Features

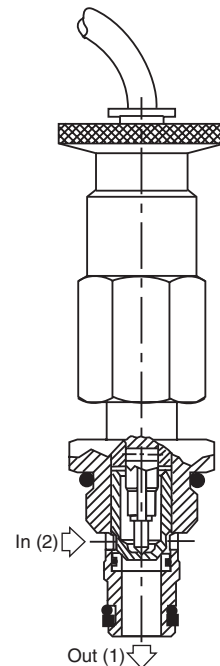
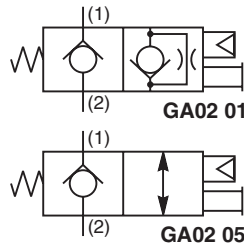
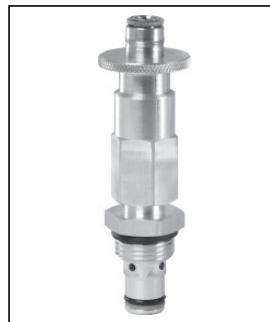
- Two way on-off poppet valve with exceptional operating characteristics
- High flow capacity with reduced space requirements
- One piece cartridge housing ensures internal concentricity
- Manual override is standard
- All external parts zinc plated

Operation

With air pilot off, pressure acts on port 2 to firmly close the main poppet on the seat. Pressure acting on port 1 allows free flow, port 1 to port 2. With air pilot on, the main poppet lifts allowing flow from port 2 to port 1 and restricted flow from port 1 to port 2 (unless free reverse flow option is used).

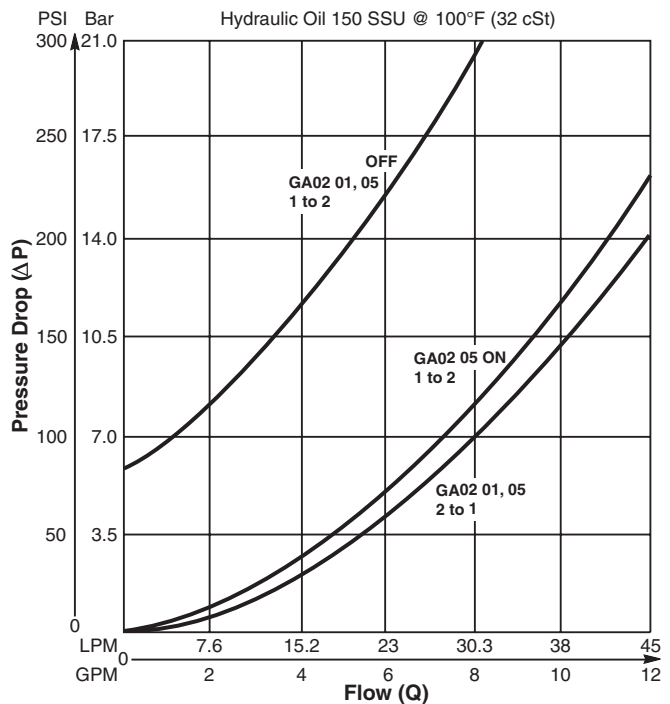
Specifications

Rated Flow	45 LPM (12 GPM)
Nominal Flow @ 7 Bar (100 PSI)	26.5 LPM (7 GPM)
Maximum Inlet Pressure	210 Bar (3000 PSI)
Air Pilot Pressure Range	5.0 Bar (70 PSI) to 8.6 Bar (120 PSI)
Leakage at 150 SSU (32 cSt)	0.33 ml/min. (5 drops/min.)
Response Time Measured at Nominal Flow, Max. Hydraulic Pressure and 5 Bar (70 PSI) Air Pilot	To Open 35 m. sec. To Close 50 m. sec.
Cartridge Material	All parts steel. All operating parts hardened steel.
Operating Temp. Range/Seals	-40°C to +93.3°C (Nitrile, Buna-N) (-40°F to +200°F) -31.7°C to +121.1°C (Fluorocarbon) (-25°F to +250°F)
Fluid Compatibility/Viscosity	Mineral-based or synthetic with lubricating properties at viscosities of 45 to 2000 SSU (6 to 420 cSt)
Filtration	ISO code 16/13, SAE Class 4 or better
Approx. Weight	.14 kg (.31 lbs.)
Cavity	C08-2 (See BC Section for more details)

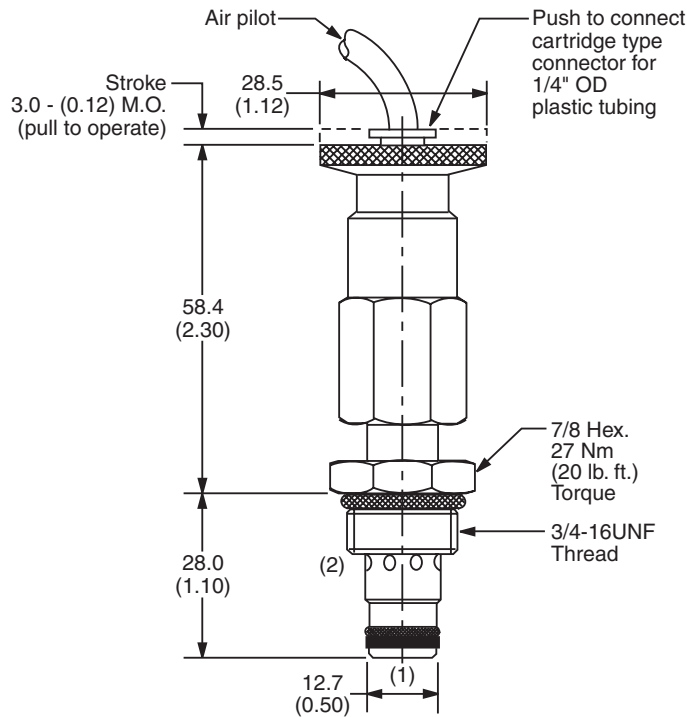


Performance Curve

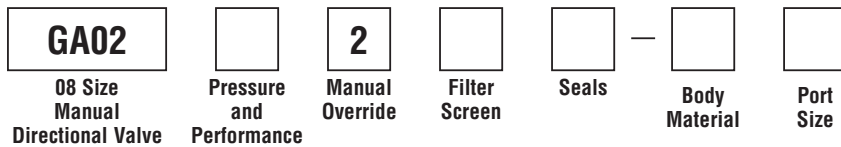
Pressure Drop vs. Flow (Through cartridge only)



Dimensions Millimeters (Inches)



Ordering Information



Code	Pressure and Performance
01	Restricted Reverse Flow
05	Free Reverse Flow

Code	Filter Screen
0	Not Required (Std.)
1	60 Mesh Screen

Code	Body Material
Omit	Steel
A	Aluminum

Code	Manual Override
2	Non-Detented (Standard)

Code	Seals / Kit No.
N	Nitrile, Buna-N / (SK30006N-1)
V	Fluorocarbon / (SK30006V-1)

Code	Port Size	Body Part No.
Omit	Cartridge Only	
4P	1/4" NPTF	(B08-2-*4P)
6P	3/8" NPTF	(B08-2-*6P)
4T	SAE-4	(B08-2-*4T)
6T	SAE-6	(B08-2-*6T)
6B	3/8" BSPG	(B08-2-*6B)

* Add "A" for aluminum, omit for steel.

- CV** Check Valves
- SH** Shuttle Valves
- LM** Load/Motor Controls
- FC** Flow Controls
- PC** Pressure Controls
- LE** Logic Elements
- DC** Directional Controls
- MV** Manual Valves
- SV** Solenoid Valves
- PV** Proportional Valves
- CE** Coils & Electronics
- BC** Bodies & Cavities
- TD** Technical Data